



Quarterly Performance Report

30. 9. 2024

Content

| | |
|--|----|
| Description of the Company | 3 |
| Corporate Governance | 7 |
| Company's Shareholders Structure | 14 |
| Information on Group Structure | 15 |
| Financial Information | 20 |

Description of the Company

Basic Company information

| | |
|---|---|
| <i>Company name</i> | Generali Česká pojišťovna a.s. |
| <i>Legal form</i> | Joint stock company |
| <i>Registered office</i> | Spálená 75/16, Nové město, 110 00 Praha 1 |
| <i>ID number</i> | 452 72 956 |
| <i>Tax ID number</i> | CZ 4527 2956 |
| <i>Bankers</i> | UniCredit Bank Czech Republic and Slovakia, a.s. |
| <i>Account number</i> | 100511/2700 |
| <i>Date of inception</i> | 1 May 1992 The Company was founded as a going concern. |
| <i>Legal regulation</i> | The Company was founded (pursuant to Section 11(3) of Act No. 92/1991 Coll. on the Conditions for the Transfer of State Property to Other Entities, as amended) by the National Property Fund of the Czech Republic under a Founder's Deed dated 28 April 1992 and was incorporated by registration in the Commercial Register on 1 May 1992. |
| <i>Incorporation in Commercial Register</i> | Prague Municipal Court Part B, Entry 1464 |
| <i>Date of incorporation in Commercial Register</i> | 1 May 1992 |
| <i>Date and reason for the last change in Commercial Register</i> | 1 February 2024 Registration of the member of the Board of Director Lenka Kejíková. |
| <i>Date of publication of the Quarterly Performance Report</i> | 11 November 2024 |
| <i>Share capital</i> | CZK 4,000,000,000 Paid up: 100 % |
| <i>Average number of employees as at 30 September 2024</i> | 3,469 |

The Company owns a branch in the Slovak Republic under the name Generali Poist'ovňa, pobočka poisťovne z iného členského štátu.

Shares Issued by Generali Česká pojišťovna

As at 30 September 2024 the approved share capital consisted of 40,000 booked, registered shares of common stock with a total amount of CZK 4,000,000,000.

| | |
|---------------------------------------|--|
| Issue (ISIN) | CZ0009106043 |
| Type of security | common stock |
| Form | registered |
| Appearance | booked |
| Nominal value | CZK 100,000 |
| Number of securities | 40,000 |
| Total volume | CZK 4,000,000,000 |
| Issue date | 15 November 2006 |
| Listing in regulated (public) markets | Unlisted security (not traded in public markets) |

Generali Česká pojišťovna did not hold any of its own shares, interim certificates or participating securities during the period ending 30 September 2024.

There were no changes to the Company's share capital during the period ending 30 September 2024.

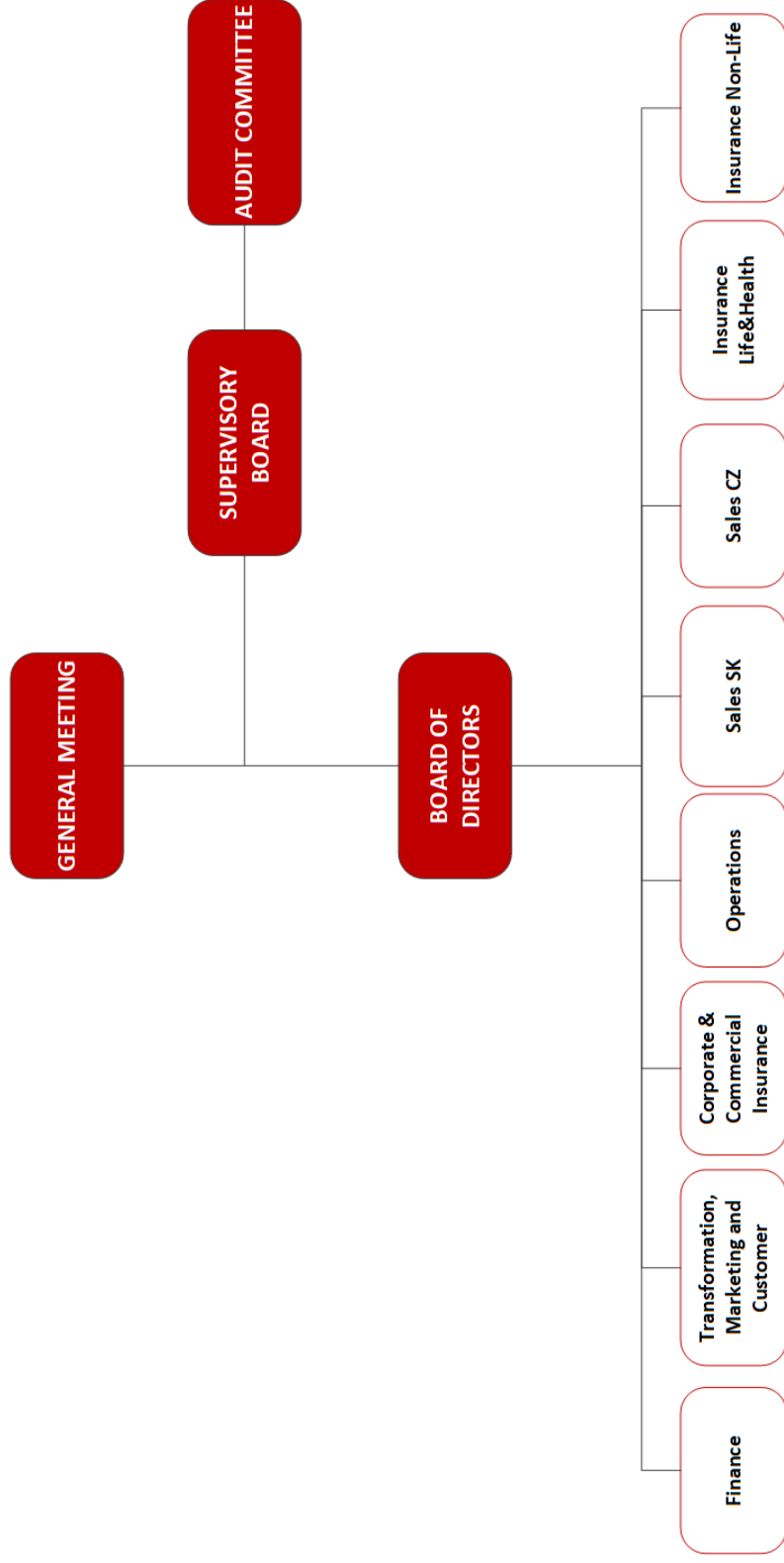
Principal Businesses:

1. Insurance activities pursuant to Act No 277/2009 on insurance, comprising
 - the life insurance classes referred to in Annex 1 to the Insurance Act, Part A, I, II, III, VI, VII and IX;
 - the non-life insurance classes referred to in Annex 1 to the Insurance Act, Part B, 1, 3, 4, 5, 6, 7, 8, 9, 10, 11, 12, 13, 14, 15, 16 and 18.
2. Reinsurance activities, comprising all types of reinsurance activities under the Insurance Act.
3. Insurance- and reinsurance-related activities
 - intermediary services related to insurance and reinsurance activities under the Insurance Act;
 - consultancy services related to the insurance of natural and legal persons under the Insurance Act;
 - investigations into insurance claims pursuant to an agreement with an insurer under the Insurance Act;
 - the exercise of rights and fulfilment of obligations for and on behalf of the Czech Insurers Bureau pursuant to Act No 168/1999, as amended;
 - the intermediation of financial services referred to in a) to j) below:
 - a) intermediation of the acceptance of deposits and other funds due from the public, including intermediation in building savings schemes and supplemental pension insurance;
 - b) intermediation of loans of all types, including, without limitation, consumer loans, mortgage loans, factoring and the financing of commercial transactions;
 - c) intermediation of finance leases;
 - d) intermediation of all payments and money transfers, including credit and debit cards, travellers' cheques and bank drafts;
 - e) intermediation of guarantees and promissory notes;
 - f) intermediation of customer trading on individual customer accounts on the stock exchange or other markets, for cash or otherwise, concerning negotiable instruments and financial assets;
 - g) intermediation of the management of assets, such as cash or portfolios, all forms of collective investment management, pension fund management, escrow accounts and custodianships;
 - h) intermediation of payment and clearing services relating to financial assets, including securities, derivatives and other negotiable instruments;
 - i) advisory-based intermediation and other ancillary financial services relating to all activities listed in a) to h), including references to loans and analysis thereof, research and consultancy in the field of investments and portfolios, consultancy in the field of acquisitions and restructuring, and corporate strategy;
 - j) intermediation of the provision and transmission of financial information, financial data processing, and relevant software from providers of other financial services.
 - training activities for insurance intermediaries and independent loss adjusters.

The Company also engages in all activities related to its ownership interests in other legal entities.

The Company practices all the businesses registered in the Commercial Register. None of the businesses was limited or suspended by the Czech National Bank.

Basic Organization Chart of Generali Česká pojišťovna



Corporate Governance

Board of Directors

Chairman

Roman Juráš

Member since: 1 July 2019

Appointment: 1 September 2019

Born: 1970

Education: University of Economics, Bratislava

Experience: KPMG Alpen Treuhand GmbH Vienna, Generali Group – VUB Generali d.s.s., a.s., Generali Versicherung AG Vienna, Generali Poist'ovňa, a.s., Generali Česká pojišťovna a. s.

Member

Milan Novotný

Appointment: 1 July 2023

Born: 1977

Education: University of Economics, Prague

Experience: Hasičská vzájemná pojišťovna, Generali Česká pojišťovna a.s., Generali CEE Holding B.V., Generali Deutschland AG

Member

Karel Bláha

Appointment: 1 June 2020

Born: 1976

Education: Charles University, Prague; University of Economics, Prague

Experience: Transgas, a.s., Pojišťovna Patricie a.s., Generali Česká pojišťovna a.s.

Member

Katarína Bobotová

Appointment: 19 December 2021

Born: 1983

Education: Slovak University of Agriculture, Nitra

Experience: Grafton Recruitment Slovakia; Generali Poist'ovňa, a.s.; Generali Česká pojišťovna a.s.

Member

Jiří Doubravský

Appointment: 1 July 2019

Born: 1972

Education: University of West Bohemia in Pilsen, Czech University of life Sciences Prague, The Nottingham Trent University & Brno Business School, University of Economics, Prague

Experience: Komerční banka, a. s., HVB Bank, Generali Česká pojišťovna a.s., Generali Poist'ovňa, a.s.

Member

Lenka Kejíková

Appointment: 1 February 2024

Born: 1983

Education: University of Economics, Prague

Experience: Kooperativa pojišťovna, a.s., Allianz pojišťovna a.s., Generali CEE Holding, Generali Penzijní společnost, a.s.

Member

Pavol Pitoňák

Appointment: 20 January 2021

Born: 1975

Education: Slovak University of Technology, Bratislava; ESCP EAP, Berlin

Experience: Allianz – Slovenská poisťovňa, a.s., Allianz – Slovenská dôchodková správcovská spoločnosť, a.s., Wüstenrot Poist'ovňa, a.s., Wüstenrot stavebná sporiteľňa, a.s., Poist'ovňa TATRA, a.s. (Poist'ovňa Poštovej banky, a.s.), Generali Poist'ovňa, a.s., Generali Česká pojišťovna a.s.

Member

David Vosika

Appointment: 1 January 2020

Born: 1982

Education: University of Economics, Prague, Faculty of informatics and statistics

Experience: Generali Česká pojišťovna a.s., Pojišťovna Patricie a.s., Generali PPF Holding B.V., Generali PPF Russia, Wüstenrot pojišťovna a.s., Allianz Life, Home Credit Insurance, Generali Pojišťovna a.s.

Member

Marián Zelko

Appointment: 1. March 2023

Born: 1984

Education: University of Economics, Bratislava, Faculty of Business Management

Experience: Allianz – Slovenská poisťovňa a.s., Generali Poist'ovňa a.s., Generali Česká pojišťovna a.s.

Fields of Competence of Members of the Board of Directors

Chief Executive Officer

Roman Juráš

Chief Financial Officer

Milan Novotný

Chief Corporate & Commercial Officer

Karel Bláha

Chief Operations Officer

Jiří Doubravský

Chief Sales Officer for the Czech Republic

Marián Zelko

Chief Sales Officer for the Slovak Republic

Pavol Pitoňák

Chief Non-Life Insurance Officer

David Vosika

Chief Insurance Officer Life and Health

Lenka Kejíková

Chief Transformation Officer&CMO

Katarína Bobotová

Supervisory Board

Chairman

Miroslav Singer

Member since: 1 February 2022

Appointment: 1 February 2022

Born: 1968

Education: University of Economics, Prague, University of Pittsburgh

Experience: CERGE-EI, The National Economic Institute of the Academy of Sciences of the Czech Republic, University of Economics, Prague, Expandia, a.s., PricewaterhouseCoopers ČR, s.r.o., Czech National Bank, MONETA Money Bank, a.s.

Member

Jose Garcia Naveros

Appointment: 1 July 2023

Born: 1972

Education: Universitat de Barcelona, Universitat Politecnica de Catalunya

Experience: KPMG Auditors, Allianz Brazil, Allianz Spain, Generali Spain, Generali Italy

Member

Marek Kubiska

Appointment: 1 January 2019

Born: 1977

Education: Jan Evangelista Purkyně University, Ústí nad Labem, Faculty of Social and Economic Studies

Experience: Prague Breweries, Generali Česká pojišťovna a.s.

Member

Lucie Šmerousová

Appointment: 1 January 2024

Born: 1983

Education: Masaryk University, Brno, Faculty of Philosophy

Experience: Generali Česká pojišťovna a.s.

Member

Antonella Maier

Appointment: 1 September 2020

Born: 1960

Education: Università degli Studi di Trieste, Università di Roma

Experience: Generali, Generali Italia S.p.A., Genertellife S.p.A., Generali CEE Holding

Member

Manlio Lostuzzi

Appointment: 1 January 2023

Born: 1960

Education: Università degli Studi di Trieste

Experience: Generali, Generali Italia S.p.A., Genertel S.p.A., Generali GC&C, Generali CEE Holding

The company owns a branch in Slovakia, which was registered into the Slovak Commercial Register on 11 November 2021. Activities of the branch are identical to those of the founder. All data are reported including the Slovak branch.

Audit Committee

Member

Martin Mančík

Appointment: 2 March 2017

Born: 27 January 1975

Education: University of Economics, Prague

Member

Beáta Petrušová

Appointment: 10 February 2017

Born: 21 April 1968

Education: University of Economics, Bratislava, Faculty of Management

Member

Roman Smetana

Appointment: 1 January 2016

Born: 11 November 1974

Education: University of Economics, Prague

Additional information on Persons with an Executive Authority

Persons with an executive authority are members of the Board of Directors and members of the Supervisory Board.

No member of the Company's Board of Directors or Supervisory Board is in a conflict of interest due to membership of other companies' governing bodies.

Principal activities of members of the Board of Directors and Supervisory Board in other companies, to the extent they are material for the Company:

Roman Juráš:

- chairman of the Management Board of the Czech Insurers' Bureau,
- Vice-President of Czech Insurance Association,
- chairman of the Management Board of Nadace Generali – The Human Safety Net
- chairman of the Supervisory Board of VÚB GENERALI DŮCHODKOVÁ SPRÁVCOVSKÁ SPOLOČNOST', A.S., Slovakia,
- member of the Supervisory Board of OVB Holding AG. (Germany).

Pavol Pitoňák:

- chairman of the Supervisory Board of Generali Česká Distribuce a.s.
- Head of the organisational unit Generali Poist'ovňa, pobočka poisťovne z iného členského štátu (Slovakia).

Miroslav Singer:

- Vice-Chairman of the Supervisory Board of MONETA Money Bank, a.s.,
- member of the Supervisory Board of Generali zavarovalnica d.d. (Slovenia).

Jiří Doubravský:

- member of the Management Board of Zemědělská společnost Lípa.

Antonella Maier:

- member of the Supervisory Board of Generali Investments CEE, investiční společnost, a.s.,
- chairman of the Supervisory Board of Generali penzijní společnost, a.s.,
- member of the Board of Directors of GENERTELLIFE S.P.A. (Italy).

David Vosika:

- member of the Supervisory Board of Europ Assistance a.s.

Marek Kubiska:

- this member of the Supervisory Board has no significant activities in other companies.

Katarína Bobotová:

- member of the Supervisory Board of Generali Slovenská distribúcia, a. s. (Slovakia),
- chairwoman of the Supervisory Board of Nadace Generali České pojišťovny,
- member of the Supervisory Board of Generali Česká Distribuce a.s.

Marián Zelko:

- chairman of the Supervisory Board of Generali Česká Distribuce a.s.

Manlio Lostuzzi

- member of the Board of Directors of Generali CEE Holding. B.V., Netherlands,
- chairman of the Supervisory Board of Generali Towarzystwo Ubezpieczeń S.A., Generali Życie Towarzystwo Ubezpieczeń S.A. Generali Finance Sp. Z o.o.,
- chairman of the Supervisory Board of Generali Powszechné Towarzystwo Emerytalne S.A.,
- Vice-Chairman of the Supervisory Board of GENERALI INVESTMENTS TOWARZYSTWO FUNDUSZY INWESTYCYJNYCH SPÓŁKA AKCYJNA (Poland).

Milan Novotný

- member of the Supervisory Board of Generali Česká Distribuce a.s.,
- member of the Supervisory Board of Nadace Generali Česká pojišťovna a. s.,
- member of the Supervisory Board of Generali Slovenská distribúcia, a. s.

Jose Garcia Naveros

- chairman of the Board of Directors of Asesoria e Inversiones Los Olmos S.A. (Chile).

Karel Bláha

- this member of the Board of Directors has no significant activities in other companies.

Lenka Kejíková

- member of the Supervisory Board of Generali Česká Distribuce a.s.,
- member of the Supervisory Board of Generali penzijní společnost, a.s.

Lucie Šmerousová

- this member of the Supervisory Board has no significant activities in other companies.

No member of the Board of Directors or Supervisory Board has been convicted of a fraud-related crime.

As at 30 September 2024 the Company did not have any records of loans or advances extended to members of the Board of Directors or the Supervisory Board.

Company's Shareholders Structure

As at 30 September 2024, Generali Česká pojišťovna was part of a group; the company at the pinnacle of that group's holding structure is Generali CEE Holding B.V. The ultimate owner of Generali Česká pojišťovna is Assicurazioni Generali S.p.A., which held a 100% stake in the voting rights associated with the shares of Generali CEE Holding B.V. The Company's sole shareholder is Generali CEE Holding B.V. Generali Group is registered in the Group Insurance Register maintained by Institution for the Supervision of Insurance (IVASS) under No. 026.

Generali CEE Holding B.V.

| | |
|--|--|
| Legal form: | limited company |
| Registered office: | De Entree 91, 1101 BH, Amsterdam, Netherlands |
| File number at the Register of the Amsterdam Chamber of Commerce and Industry: | 34275688 |
| Share capital: | EUR 100,000 |
| Stake in the voting rights: | 100% (indirect) |
| Share of Share capital: | 100% (indirect) |
| Date of inception: | 8 June 2007 |
| Principal businesses: | holding activities |

The Company has not entered into a control agreement with its sole shareholder, Generali CEE Holding B.V. As at 31 December 2023 The Company compiled a Report on Relations Between the Company and Related Entities pursuant to Section 82 of Act No. 90/2012 Sb.

Information on Group Structure

Controlling entities

Next to the sole shareholder Generali CEE Holding B.V. below is other controlling entities of the Company:

Assicurazioni Generali S.p.A

| | |
|-------------------------------------|---|
| Legal form: | joint stock company |
| Registered office: | Piazza Duca degli Abruzzi 2, Trieste, Italy |
| Trieste Companies' Register number: | 00079760328 |
| Share capital: | EUR 1,602,736,602.13 |
| Stake in the voting rights: | 100% (indirect) |
| Share of Share capital: | 100% (indirect) |
| Date of inception: | 26 December 1831 |
| Principal businesses: | providing insurance and finance products |

Amounts of receivables and payables of the Company, towards controlling entities is shown in the following table.

| As at 30. 9. 2024 (In CZK thousands) | Receivables | Payables |
|--------------------------------------|-------------|-------------|
| Generali CEE Holding B.V. | 189 | (3,006,189) |
| Assicurazioni Generali S.p.A | 2,139 | (13,171) |

Generali Česká pojišťovna has no securities issued by controlling entities. Company has not accepted any guarantees from controlling entities, even has not provided any guarantees to such entities.

Controlled entities

| Name | Legal form | Registered office |
|--|---------------------|---|
| Generali Real Estate Fund CEE a.s., investiční fond | joint stock company | Na Pankráci 1658/121, 140 00, Praha 4, Česká republika |
| Nadace Generali České pojišťovny | foundation | Na Pankráci 1720/123, 140 00, Praha 4, Česká republika |
| Nadace Generali - The Human Safety Net | foundation | Na Pankráci 1720/123, 140 00, Praha 4, Česká republika |
| Acredité s.r.o. | limited company | Na Pankráci 1658, 140 21, Praha 4, Česká republika |
| Generali penzijní společnost, a.s. | joint stock company | Na Pankráci 1720/123, Nusle, 140 21, Praha 4, Česká republika |
| Green Point Offices s.r.o. | limited company | Lamačská cesta 3/A, 841 04, Bratislava, Slovenská republika |
| Pařížská 26, s.r.o. | limited company | Václavské náměstí 772/2, Nové Město, 110 00 Praha 1 |
| PALAC KRIZIK a.s. | joint stock company | Radlická 608/2, 150 23, Praha 5, Česká republika |
| IDEE s.r.o. | limited company | Václavské náměstí 772/2, Nové Město, 110 00 Praha 1 |
| Náměstí Republiky 3a, s.r.o. | limited company | Václavské náměstí 772/2, Nové Město, 110 00 Praha 1 |
| MUSTEK PROPERTIES s.r.o. | limited company | Václavské náměstí 772/2, Nové Město, 110 00 Praha 1 |
| Generali Česká Distribuce a.s. | joint stock company | Na Pankráci 1658/121, Nusle, 140 00, Praha 4, Česká republika |
| Cleha Invest Sp. Z o.o. | limited company | ul. Królewska 18, 00-103 Warszawa, Polsko |
| SIBSEN Invest Sp. Z o.o. | limited company | ul. Senatorska 18, 00-096 Warszawa, Polsko |
| SMALL Gref a.s. | joint stock company | Na Pankráci 1658/121, Nusle, 140 00, Praha 4, Česká republika |
| Pankrác East a.s. | joint stock company | Václavské náměstí 772/2, Nové Město, 110 00 Praha 1 |
| Palác Špork, a.s. | joint stock company | Václavské náměstí 772/2, Nové Město, 110 00 Praha 1 |
| VÚB Generali důchodková správcovská spoločnosť, a.s. | joint stock company | Mlynské nivy 1, 820 04, Bratislava, Slovenská republika |
| Generali Slovenská distribúcia, a. s. | joint stock company | Lamačská cesta 6257/ 3/A, 841 04, Bratislava, Slovenská republika |
| Europ Assistance s.r.o. | limited company | Na Pankráci 1724/129, Nusle, 140 00 Praha 4, Česká republika |
| Pankrác West a.s. | joint stock company | Václavské náměstí 772/2, Nové Město, 110 00 Praha 1 |

Following table shows stake of the Company in the voting rights and share capital of controlled entities.

| Name | Direct share on Share capital (%) | Indirect share on Share capital (%) | Direct stake in the voting rights (%) | Indirect stake in the voting rights (%) | Number of shares held by the Company | Nominal value of shares/ participation interest in CZK ¹ | Purchase price of shares/ participation interest in CZK (on a acquisition date) |
|--|-----------------------------------|-------------------------------------|---------------------------------------|---|--------------------------------------|---|---|
| Generali Real Estate Fund CEE a.s., investiční fond | 50.18 | 7,27 | 50.18 | 7,27 | 277 | 276,993,600 | 4,499,676,486 |
| Nadace Generali České pojišťovny | N/A | N/A | N/A | N/A | N/A | N/A | N/A |
| Nadace Generali - The Human Safety Net | N/A | N/A | N/A | N/A | N/A | N/A | N/A |
| Acredité s.r.o. | 100 | | 100 | | | 100,000 | 65,676,527 |
| Generali penzijní společnost, a.s. | 100 | | 100 | | 50,000,000 | 50,000,000 | 6,905,095,750 |
| Green Point Offices s.r.o. | 100 | | 100 | | | 629,500 | 834,532,727 |
| Pařížská 26, s.r.o. | 100 | | 100 | | | 200,000 | 345,562,642 |
| PALAC KRIZIK a.s. | 50 | 25.09 | 50 | 25.09 | 101 | 1,010,000 | 527,267,705 |
| IDEE s.r.o. | | 50.18 | | 50.18 | | | |
| Náměstí Republiky 3a, s.r.o. | | 50.18 | | 50.18 | | | |
| MUSTEK PROPERTIES s.r.o. | | 50.18 | | 50.18 | | | |
| Generali Česká Distribuce a.s. | 100 | | 100 | | 20 | 2,000,000 | 13,877,550 |
| Cleha Invest Sp. Z o.o. | | 50.18 | | 50.18 | | | |
| SIBSEN Invest Sp. Z o.o. | | 50.18 | | 50.18 | | | |
| Palác Špork, a.s. | | 50.18 | | 50.18 | | | |
| Pankrác East a.s. | | 50.18 | | 50.18 | | | |
| Pankrác West a.s. | | 50.18 | | 50.18 | | | |
| VÚB Generali důchodková správcovská společnost, a.s. | 44.74 | | 44.74 | | 136 | 113,680,213 | 787,783,532 |
| Generali Slovenská distribúcia, a. s. | 100 | | 100 | | 10 | 629,500 | 22,860,907 |

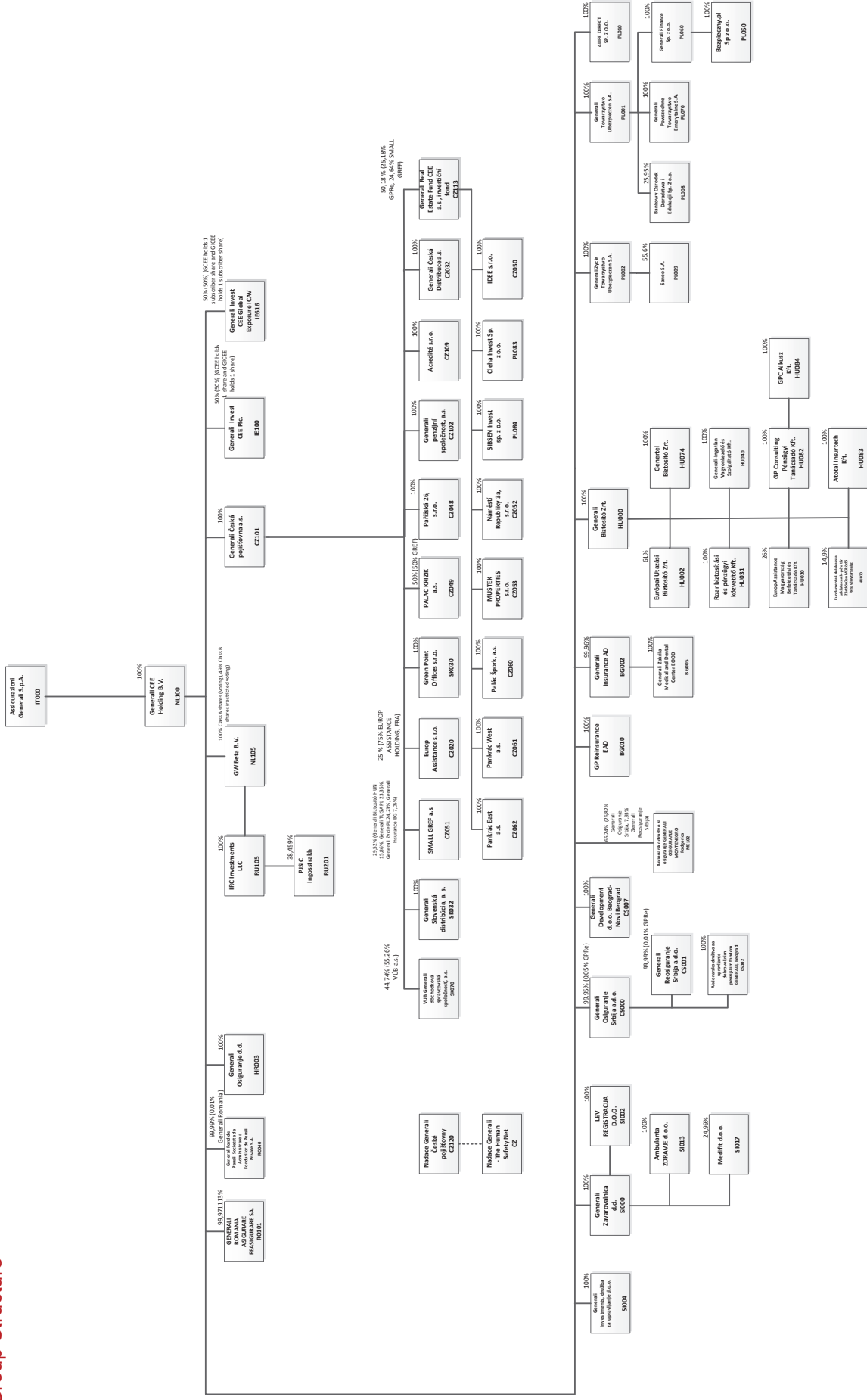
¹ Foreign currency is translated using CNB exchange rate as at 30 September 2024.

Amounts of receivables and payables of the Company towards controlled entities is shown in following table.

| (In CZK thousands) | Receivables | Payables | Value of securities owned by GČP and issued by controlled entity | |
|--|-------------|-----------|--|----------------------------------|
| | | | Value of securities (purchase price) | Value of securities (book value) |
| Generali Slovenská distribúcia, a.s. | 18 198 | | 22,861 | 22,861 |
| Acredité s.r.o. | 33 946 | (2,811) | 65,677 | 7,714 |
| Europ Assistance s.r.o. | 66 907 | (2,550) | 30,421 | 30,421 |
| Generali penzijní společnost, a.s. | 342 | (20,562) | 6,905,096 | 6,825,096 |
| Generali Česká Distribuce a.s. | 624 | (249,605) | 13,878 | 13,878 |
| VÚB Generali důchodková správcovská společnost, a.s. | 226 | | 787,784 | 787,784 |

The Company has no liabilities relating to securities issued by controlled entities.

Group Structure



Financial information

Financial statements

Statement of Financial Position

In CZK thousand

| | Current period 30. 9. 2024 | Previous period 31. 12. 2023 |
|---|-------------------------------|---------------------------------|
| Cash and cash equivalents | 1,749,723 | 1,916,007 |
| Investments to subsidiaries and associates | 13,716,350 | 13,800,784 |
| Investments | 74,204,771 | 76,417,311 |
| Investment properties | 1,367,590 | 115,412 |
| Financial assets measured at amortised cost | | 1,286,704 |
| Financial assets measured at FVOCI | 42,570,479 | 46,150,047 |
| Financial assets measured at FVTPL | 30,266,702 | 28,865,148 |
| Receivables | 2,197,813 | 1,715,091 |
| Insurance contract assets | 4,602,802 | 3,944,851 |
| Reinsurance contract assets held | 16,943,386 | 12,217,466 |
| Property and equipment | 253,637 | 529,042 |
| Intangible assets | 1,764,405 | 1,856,494 |
| Non-current assets held-for-sale | 192,940 | 493,221 |
| Deferred tax receivable | 2,116,554 | 2,216,485 |
| Other assets | 339,898 | 462,437 |
| Total assets | 118,082,279 | 115,569,189 |
| Share capital | 4,000,000 | 4,000,000 |
| Retained earnings and other reserves | 28,375,105 | 33,446,051 |
| Total equity | 32,375,105 | 37,446,051 |
| Insurance contract liabilities | 70,828,033 | 66,338,253 |
| Reinsurance contract liabilities | 3,161,182 | 3,007,893 |
| Other provisions | 279,781 | 314,960 |
| Financial liabilities | 282,497 | 667,032 |
| Payables | 10,031,077 | 6,488,206 |
| Deferred tax liability | | 82,840 |
| Accruals and deferred income | 1,124,604 | 1,223,954 |
| Total liabilities | 85,707,174 | 78,123,138 |
| Total equity and liabilities | 118,082,279 | 115,569,189 |

Income Statement

In CZK thousand

| | Current period 30. 9. 2024 | Previous period 30. 9. 2023 |
|---|-------------------------------|--------------------------------|
| Insurance service result | 2,515,340 | 3,320,389 |
| Insurance revenue | 36,810,831 | 34,042,803 |
| Insurance service expenses | (34,240,167) | (27,434,686) |
| Insurance service result from reinsurance contracts | (55,324) | (3,287,728) |
| Investments result | 1,773,205 | 2,565,404 |
| Investment return | 4,632,279 | 5,046,957 |
| Interest income | 1,177,163 | 1,167,323 |
| Other investment revenue | 3,474,942 | 3,822,602 |
| Net impairment loss on financial assets | (19,826) | 57,032 |
| Insurance finance expenses | (2,859,074) | (2,481,553) |
| Net finance expenses from insurance contracts | (3,073,491) | (2,649,227) |
| Net finance income from reinsurance contracts | 214,417 | 167,674 |
| Other income | 522,057 | 663,697 |
| Other operating expenses | (1,180,565) | (1,340,990) |
| Other finance costs | (31,271) | |
| Profit before tax | 3,598,766 | 5,208,500 |
| Income tax expense | (700,800) | (864,973) |
| Net profit for the year | 2,897,966 | 4,343,527 |

Other Comprehensive Income

In CZK thousand

| | Current period 30. 9. 2024 | Previous period 30. 9. 2023 |
|--|-------------------------------|--------------------------------|
| Net profit for the year | 2,897,966 | 4,343,527 |
| Other comprehensive income - elements will not be recycled to profit or loss | | |
| Currency translation differences | (196) | |
| Equity investments at FVOCI | 369,960 | 260,301 |
| Tax on items of Other comprehensive income | (77,582) | (49,719) |
| | 292,182 | 210,582 |
| Other comprehensive income - elements which may be recycled to profit or loss | | |
| Currency translation differences | 107,684 | (16,787) |
| Debt investments at FVOCI - Net change in fair value | 443,454 | 906,872 |
| Debt investments at FVOCI - Net amount reclassified to profit or loss | (94,423) | (319,577) |
| Net finance expenses from insurance contracts | (119,246) | (149,632) |
| Net finance income from reinsurance contracts | 155,896 | 93,168 |
| Tax on items of Other comprehensive income | (81,420) | (154,005) |
| | 411,945 | 360,039 |
| Other comprehensive income/loss, net of tax | 704,127 | 570,621 |
| Total Comprehensive income | 3,602,093 | 4,914,148 |

Fair value and nominal value of derivatives

| As at 30. 9. 2024 (In CZK thousands) | Fair value | Nominal value |
|--------------------------------------|------------|---------------|
| Hedging derivatives | 487,634 | 6,511,975 |
| Trading derivatives | 212,021 | 20,633,975 |

Ratios

| As at 30. 9. 2024 | (%) |
|---------------------------------|--------|
| Return on average assets (ROAA) | 2,45 |
| Return on average equity (ROAE) | 8,95 |
| Non-life "Combined ratio" | 100,69 |